

**SWITCH CABINET COOLER**  
Series PROTEMP

**PROTEMP 70 M**



**FEATURES**



Temperatures from  
-40°C bis 70°C



Indoor, Outdoor &  
Offshore- suitable  
Protection class IP67



Highest power den-  
sity with minimal  
device-footprint



Optimal for all  
common enclosure  
geometries

**DATA SHEET CONTENT**

Number	Content	Page
1	Technical specifications	2
2	Variants and order codes	2
3	Connector assignment	3
4	Performance diagrams	3
5	Dimensions	4
6	Accessories	6
7	Certificates and notes	7

**YOUR PARTNER FOR THERMOELECTRIC SOLUTIONS**

# SWITCH CABINET COOLER

## Series PROTEMP

### PROTEMP 70 M | AA-70M-24-NN4-XXX-DNPT

## 1 TECHNICAL SPECIFICATION

### General data

Dimensions [HxWxD]	170 x 130 x 167 mm
Weight	ca. 2,7 kg
Material outer side (Warm-side)	1.4404 -V4A, optionally powder coated in RAL7035
Life expectancy	40.000 h (L10 lifespan at 60°C operational temperature)
Supply voltage	24 V
Input power	108 W
Noise emission	53 dB
Max. input current	6,0 A
Rated current	4,4 A
Operating temperature range	-40 °C bis +70 °C
Storage temperature range	-40 °C bis +70 °C
Recommended pre-fuse	TBD

### Cooling and tempering

Cooling capacity (L35 / L35)	74 W
Heating operation possible	yes
Heating capacity	180 W

### IP-protection and safety features

Protection class outer side (warm-side)	IP67
Protection class inner side (cold-side)	IP20 ( inner fans with protection class IP55 )
Temperature switch, warm-side	Bimetal switch NC, 250 V-AC 5A, 24V-DC 10A The Alarm can be configured as safety shut-off or as fault message
Switch-point temperature switch	+ 90°C

## 2 VARIANTS AND ORDER CODES

### PROTEMP 70 M | Cabinet cooler

Variant	Art. Nr.	Device-Code	Description
COMPACT - RAL	005955	AA-70M-24-NN4-SCR-DNPT	Small footprint for optimal integration
OUTDOOR - V4A	005956	AA-70M-24-NN4-SOV-DNPT	Robust V4A-outer hood (Offshore-suitable)
OUTDOOR - RAL	005957	AA-70M-24-NN4-SOR-DNPT	Robust outer hood powder-coated in RAL7035

# SWITCH CABINET COOLER

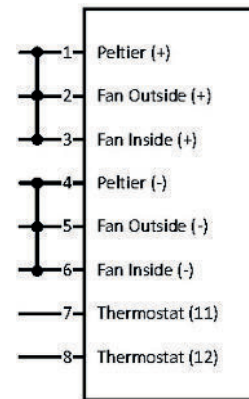
Series PROTEMP

## PROTEMP 70 M | AA-70M-24-NN4-XXX-DNPT

### 3 CONNECTOR ASSIGNMENT

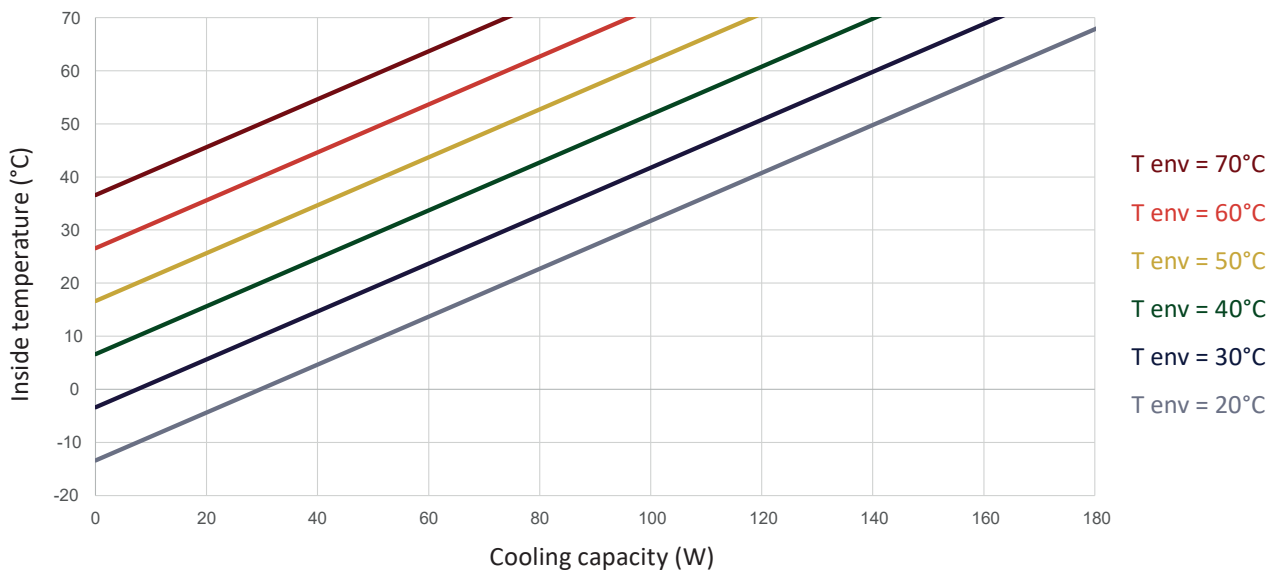
#### OVERVIEW

Terminal	Terminal assignment
1	Peltier +
2	Outer fans +
3	Inner fans +
4	Peltier -
5	Outer fans -
6	Inner fans -
7	Alarm
8	Alarm



Bridged terminals are equipped with Wago 231-902 bridges from the factory & must be customized by the customer. The maximum wire diameter is 1,5 mm<sup>2</sup> when bridged and 2.5 mm<sup>2</sup> without bridge.

### 4 PERFORMANCE DIAGRAM



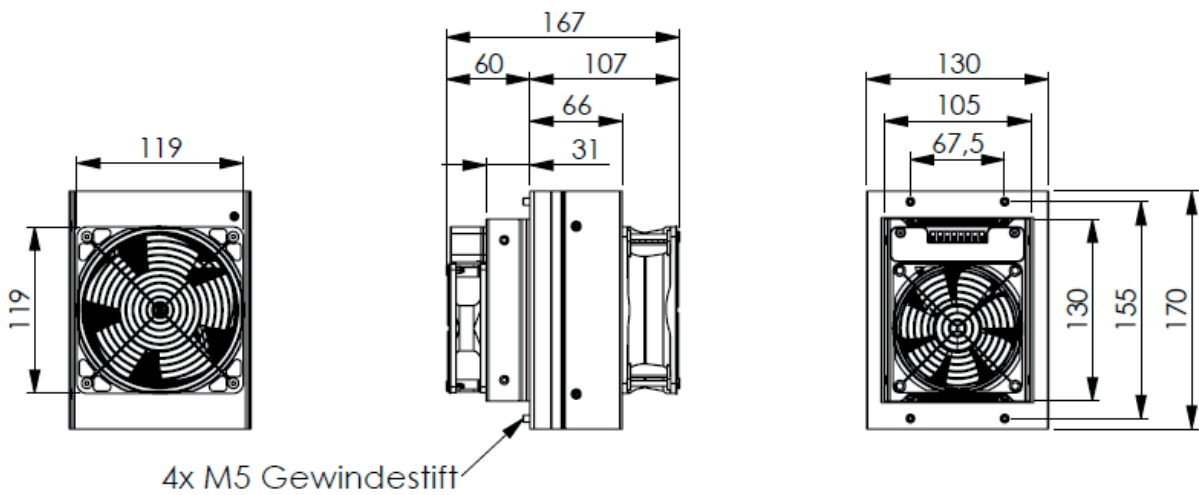
# SWITCH CABINET COOLER

Series PROTEMP

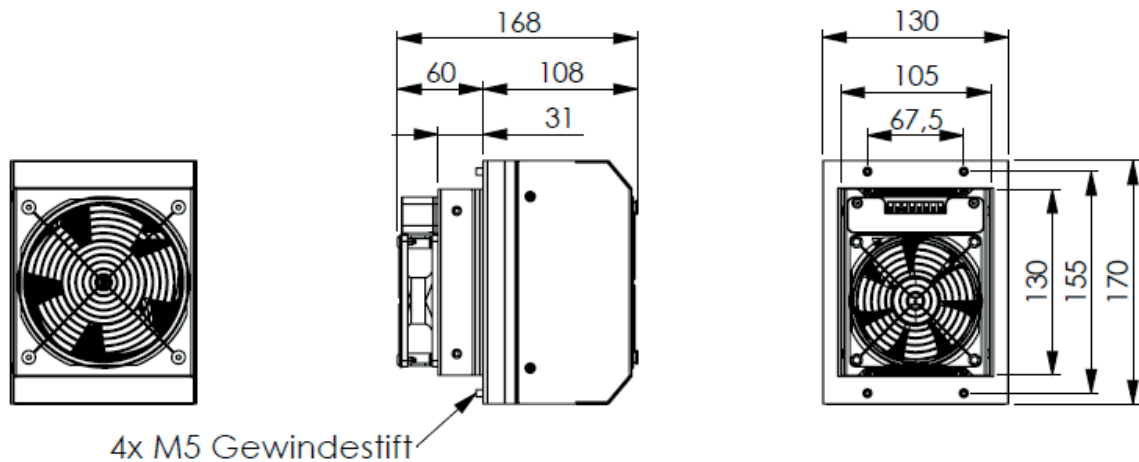
## PROTEMP 70 M | AA-70M-24-NN4-XXX-DNPT

### 5 DIMENSIONS

#### MAIN DIMENSIONS VARIANT COMPACT



#### MAIN DIMENSIONS VARIANT OUTDOOR



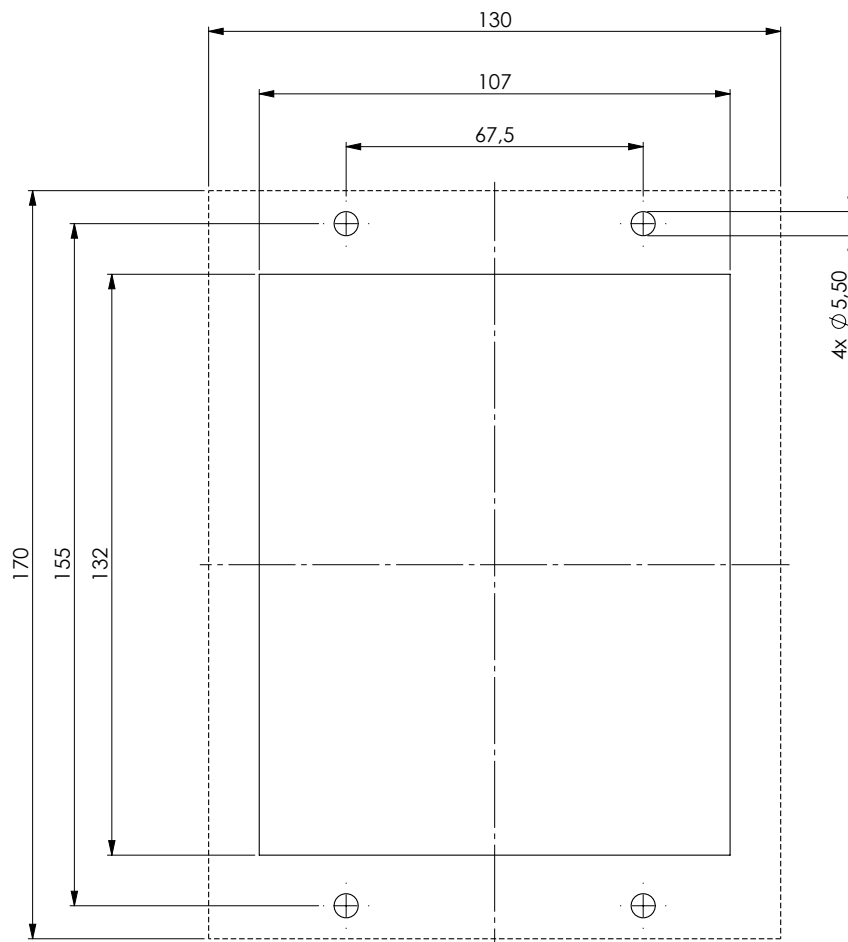
# SWITCH CABINET COOLER

## Series PROTEMP

### PROTEMP 70 M | AA-70M-24-NN4-XXX-DNPT

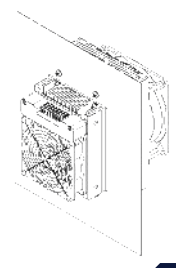
#### 5 DIMENSIONS

#### CUT-OUT



#### NOTES ON INSTALLATION

In principle, the position and mounting orientation of the device are freely selectable. However, when installing the device in a side or rear wall or in the door of the switch cabinet, it is recommended to align the device in such a way that the connection terminals are located at the top. Please also refer to the installation instructions in the operating manual.



## YOUR PARTNER FOR THERMOELECTRIC SOLUTIONS

**PROTEMP 70 M | AA-70M-24-NN4-XXX-DNPT**

**6 ACCESSORIES**



**Power supply - 006047**

DIN rail power supply NDR-120-24  
Manufacturer: MeanWell

Compact DIN rail power supply unit for a reliable power supply to the Peltier housing cooler



**Power supply - 358**

Screw mount power supply HLG-120H-24  
Manufacturer: MeanWell

Sealed LED power supply unit with high IP protection, which is also suitable for outdoor installation.



**Peltier control - 11**

Compact Peltier controller SCC-003-A for top-hat rail mounting. Enables heating and cooling operation of the devices via an integrated H-bridge.



**Thermostat - 004815**

Compact top-hat rail thermostat for simple control of the Peltier cooler for use in cooling mode.



**Stacking frame - 006071**

The stacking frame prevents the device from protruding into the housing. Ideal for applications where space is particularly limited.



**Condensate drainage - 005920**

The condensate drainage channel reliably collects condensate on the cold side and prevents corrosion and damage to the housing.



**Condensate drainage - 005795**

KAE-36 drainage element for the safe removal of condensate from the housing. IP68 protected and therefore suitable for outdoor areas. Mounted on the base of the enclosure.



**Condensate drainage - 005806**

KAE-36-VENT Drainage element with integrated pressure equalization for safe drainage of condensate from the enclosure - IP68 protected. Mounted on the base of the enclosure.



**Condensate drainage - 005570**

KAE-4 drainage element for the safe removal of condensate from the housing. IP68 protected. Space-saving installation from the inside. Drainage via side housing wall.



**Condensate drainage - 005822**

KAE-4-VENT drainage element for safe drainage of condensate from the housing with integrated pressure equalization & IP68 protection. Space-saving installation from the inside. Drainage via side housing wall.

SWITCH CABINET COOLER  
Series PROTEMP

## PROTEMP 70 M | AA-70M-24-NN4-XXX-DNPT

## 7 CERTIFICATES AND NOTES

## CERTIFICATES



## NOTES

For the product „DR.NEUMANN Peltier-switch cabinet cooler PROTEMP 70 M “ the CE label is issued on the basis of the Directive 3014/30/EU of the Council of the European Community of 26 February 2014 on the approximation of the laws of the Member States relating to communication equipment, including the mutual recognition of their conformity.

The product „DR.NEUMANN Peltier-switch cabinet cooler PROTEMP 70 M“ as described here meets the requirements for CE labeling:

**Interference immunity according to EN 50082-2**

Electromagnetic compatibility generic standards interference immunity

**Radio interference suppression according to EN 55022 Class A**

Electromagnetic compatibility of information processing and telecommunications equipment

**Electrical safety according to EN 60950**

Safety of information technology equipment including electrical office machines

This device is intended for use in industrial environments. The interference immunity and interference emission comply with the guidelines for industrial equipment. When used in residential and business areas, interference with other devices (e.g. radio) may occur under certain circumstances. The operator must independently ensure that no third party is affected by possible interference.

This declaration is made responsibly for the manufacturer

**DR. NEUMANN Peltier-Technik GmbH**

Gautinger Straße 45  
82061 Neuried, DE