

# Data Sheet

## Peltier-Switch Cabinet Cooler FL-208-AC

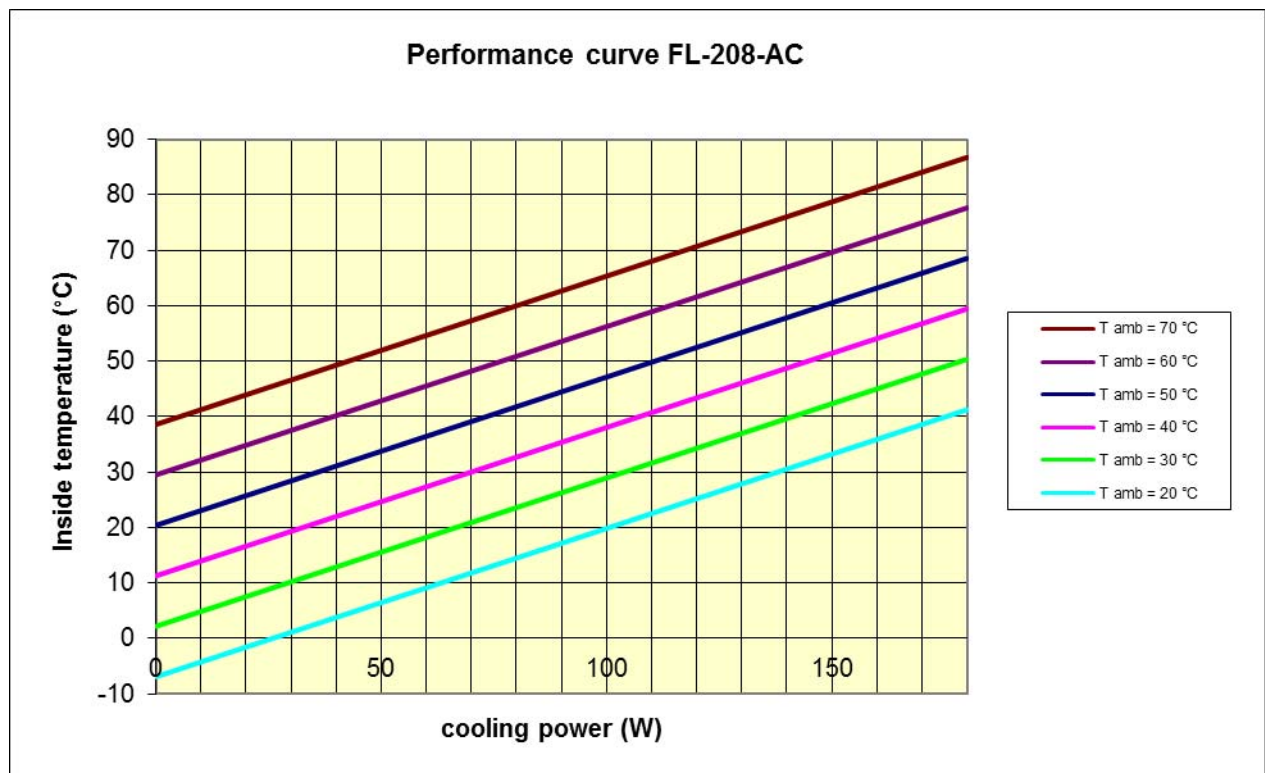


S-0000891-002-a

### Technical data:

Supply voltage	90-305 V-AC, 47-63 Hz, 127-431 V-DC
Rated input	100 W
Cooling power (L35/L35)	105 W
Weight	app. 6 kg
Protection Classification outer side (warm)	IP67
Protection Classification internal side (cold)	IP20
Operational temperature range	-40 °C to 70 °C
Storage temperature range	-40 °C to 70 °C
Alarm transductor	NO-contact, max. 250 V-AC/30 V-DC, 5 A
Switch point fault message	+80°C (+/- 5°C) heat sink temperature
Switch point safety shutdown	+90°C (+/- 5°C) heat sink temperature

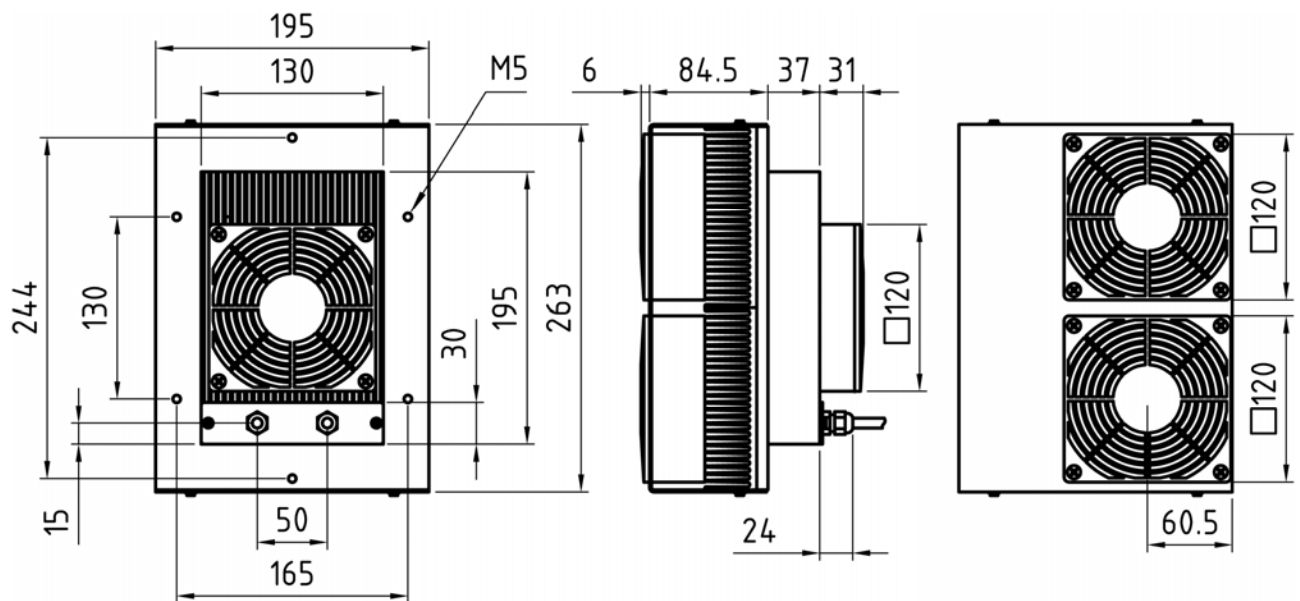
### Performance range:



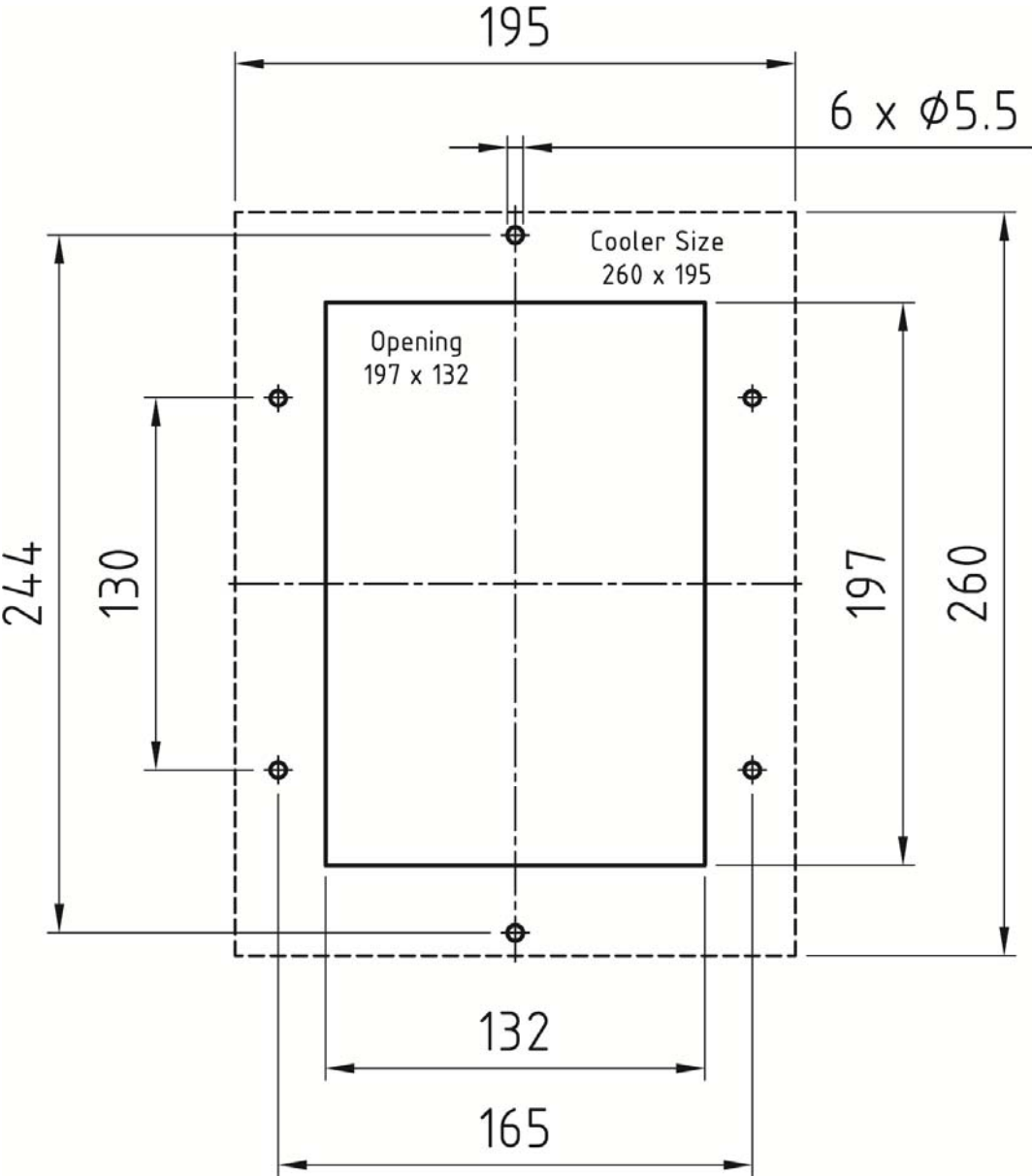
**Terminal assignment:**

Cable	Core colour	Connection
grey	black „1“	phase
grey	black „2“	neutral
grey	yellow / green	ground
black	blue	Alarm transducer (NO contact)
black	brown	Alarm transducer (NO contact)

**Main dimensions:**



**Opening:**



**Approvals:**





The product „DR. NEUMANN Switch-cabinet-cooler FL-208-AC“ has been given the CE mark on the basis of the Directive 3014/30/EU of the Council of the European Community of 26 February 2014 for harmonization of legislation of member-states on communication systems including mutual recognition of their conformity.

This product has been designed for use with power packs bearing the CE mark.

The product „DR. NEUMANN Switch-cabinet-cooler FL-208-AC“ meets the requirements for a CE mark:

**Interference immunity to EN 61000-6-2/VDE 0839 Part 6-2**

Electromagnetic compatibility; basic standard on interference immunity

**Radio interference suppression to EN 55022 Class A**

Electromagnetic compatibility of equipment for information processing and telecommunication

**Electric safety to EN 60950**

Safety of equipment of information engineering including electric office machines.

This product has been designed for use in industrial applications. Interference immunity and the rate of emitted interference are in conformity with the directives on industrial equipment. When the product is used in residential homes and business offices interference with other equipment items (e.g. radio receivers) might occur. The user shall ensure itself that no third party will be exposed to any interference.

This declaration is delivered in the responsibility of the manufacturer

DR. NEUMANN  
Peltier-Technik GmbH  
Gautinger Str. 45  
D-82061 Neuried  
Germany