

Data Sheet

Peltier-Switch-Cabinet-Cooler HL-208-C

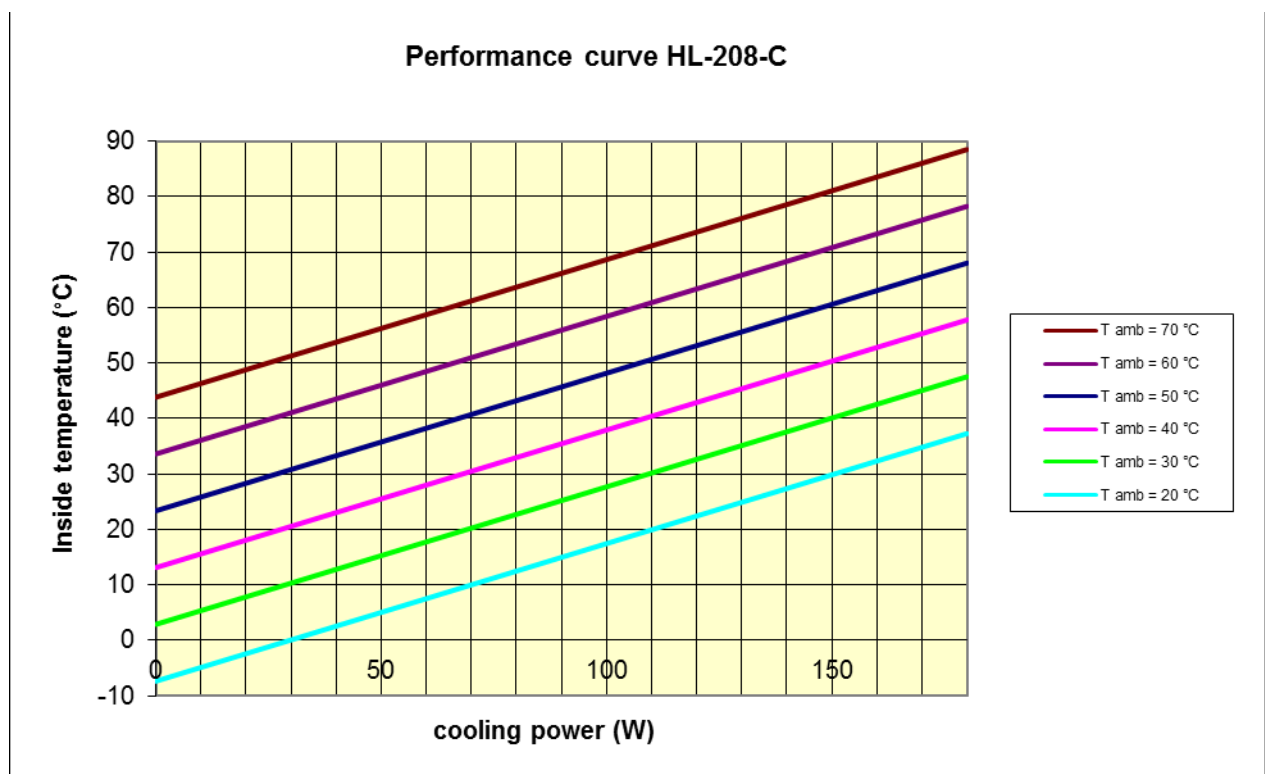


S-0001766-001-a

Technical Data:

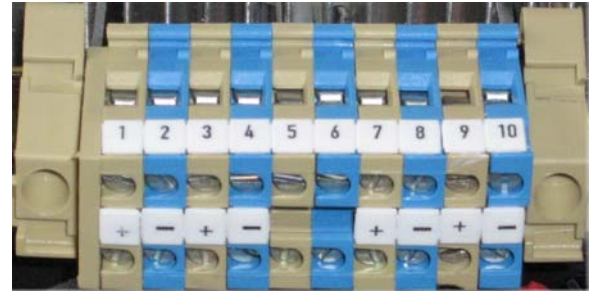
Supply voltage	24 V - DC
Rated input	100 W
Cooling power (L35 / L35)	108,8 W
Max. current consumption	7 A
Nominal current consumption	4,2 A
Weight	app. 5 kg
Degree of protection outside part	IP67
Degree of protection inside part	IP20
Operating temperature range	-40 °C .. 90 °C
Storage temperature range	-40 °C .. 90 °C
Alarm contact	NO-contact, max. 30 V-DC, 5 A
Switching point alarm contact	+110°C (+/- 5°C) heatsink temperature
Switching point safety shutdown	+120°C (+/- 5°C) heatsink temperature

Performance diagram:

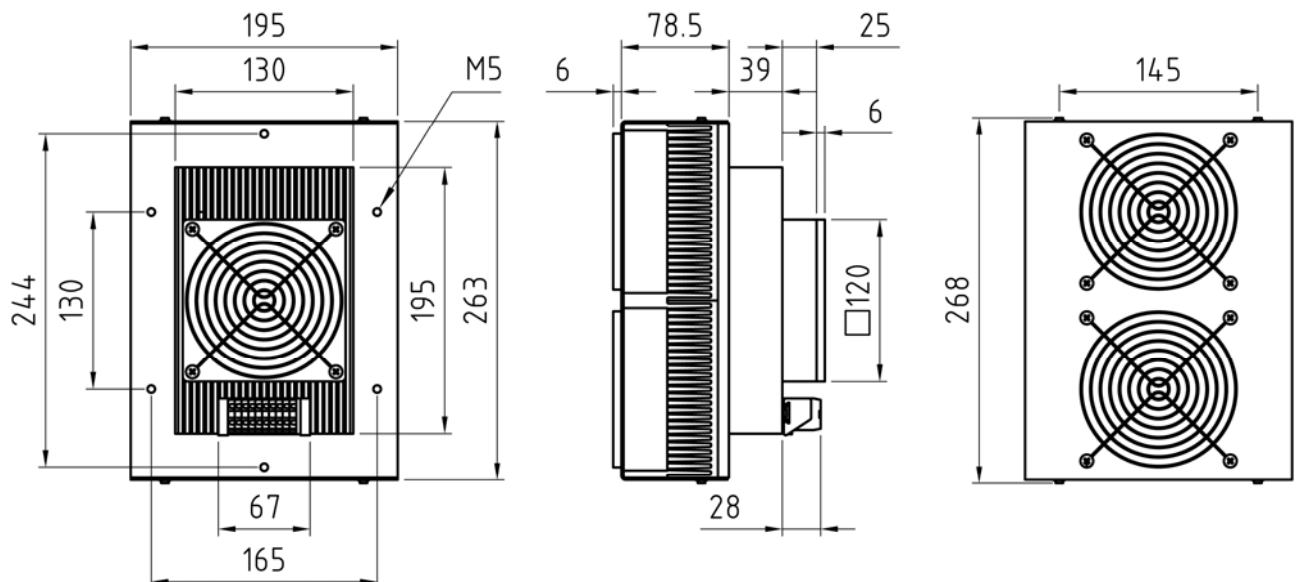


Terminal assignment:

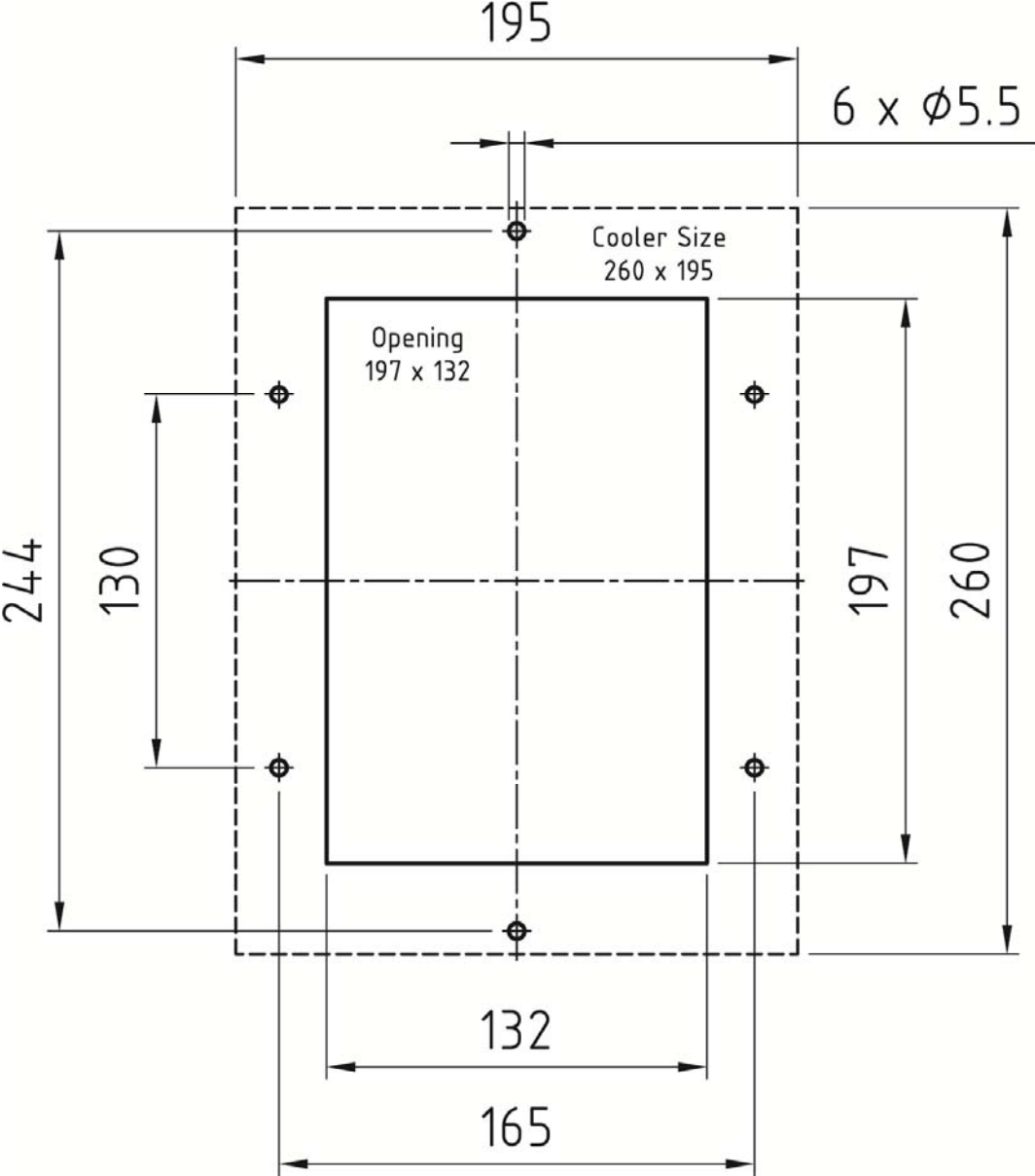
Pin	Connection
1	+24 V-DC (Peltier +)
2	0 V-DC (Peltier -)
3	+24 V-DC (Peltier +)
4	0 V-DC (Peltier -)
5	Alarm contact (NO)
6	Alarm contact (NO)
7	+24 V-DC (outside fans +)
8	0 V-DC (outside fans -)
9	+24 V-DC (inside fan +)
10	0 V-DC (inside fan -)



Main dimensions:



Cut out:





The product „DR. NEUMANN Switch-cabinet-cooler HL-208-C“ has been given the CE mark on the basis of the Directive 3014/30/EU of the Council of the European Community of 26 February 2014 for harmonization of legislation of member-states on communication systems including mutual recognition of their conformity.

This product has been designed for use with power packs bearing the CE mark.

The product „DR. NEUMANN Switch-cabinet-cooler HL-208-C“ meets the requirements for a CE mark:

Interference immunity to EN 61000-6-2/VDE 0839 Part 6-2

Electromagnetic compatibility; basic standard on interference immunity

Radio interference suppression to EN 55022 Class A

Electromagnetic compatibility of equipment for information processing and telecommunication

Electric safety to EN 60950

Safety of equipment of information engineering including electric office machines.

This product has been designed for use in industrial applications. Interference immunity and the rate of emitted interference are in conformity with the directives on industrial equipment. When the product is used in residential homes and business offices interference with other equipment items (e.g. radio receivers) might occur. The user shall ensure itself that no third party will be exposed to any interference.

This declaration is delivered in the responsibility of the manufacturer

DR. NEUMANN
Peltier-Technik GmbH
Gautinger Str. 45
D-82061 Neuried
Germany