

Data Sheet Peltier-Switch Cabinet Cooler LR-208-C (water-recooled)



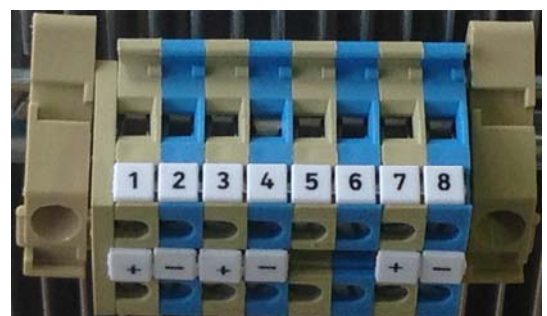
S-0001015-003-a

Technical data:

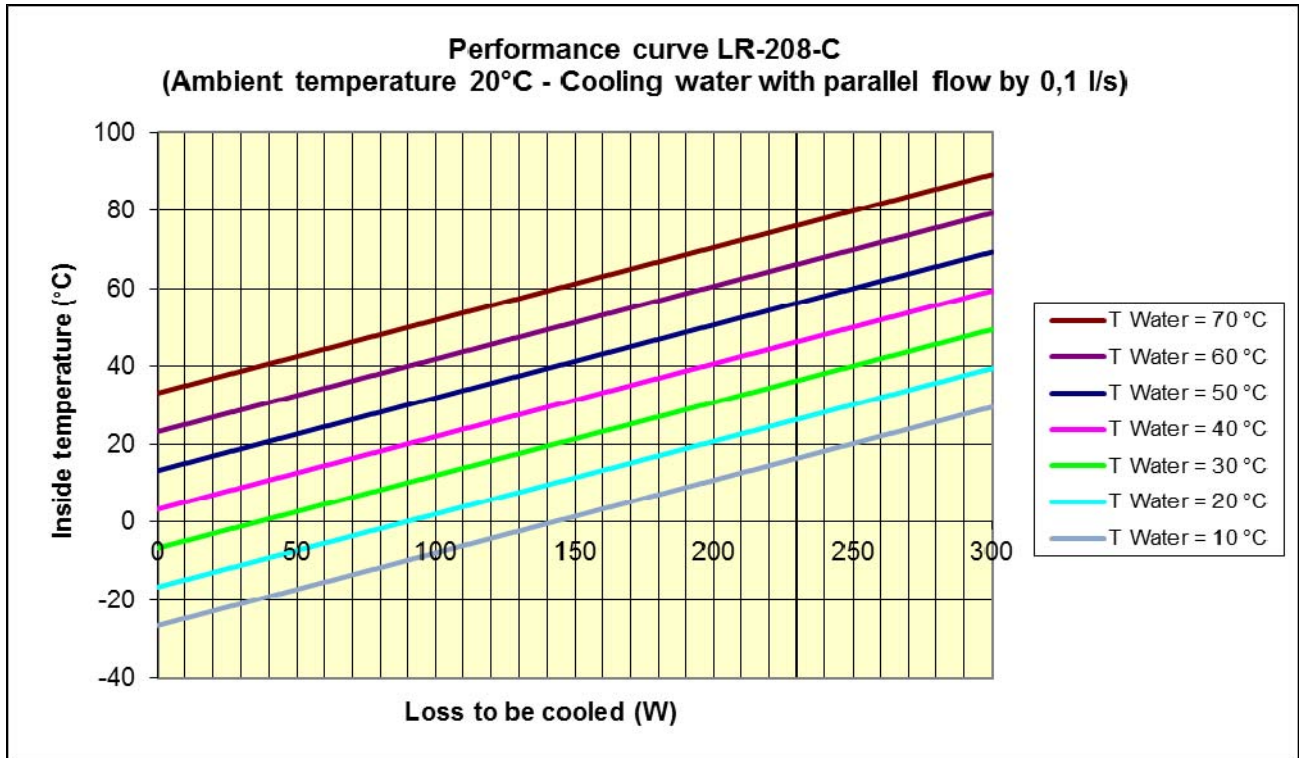
| | |
|--|---|
| Supply voltage | 24 V - DC |
| Rated input | 200 W |
| max. input current | 15 A |
| weight | approx. 5 kg (without cooling water) |
| Protection Classification outer side (warm) | IP67 |
| Protection Classification internal side (cold) | IP20 |
| Operational temperature range | 5 °C to 90 °C |
| Storage temperature range | -40 °C to 90 °C (without cooling water) |
| Alarm transductor | Make-contact, max. 30 V-DC, 5 A |
| Switch point fault message | +80°C (+/- 5°C) heat exchanger temperature |
| Switch point safety shutdown | +90°C (+/- 5°C) heat exchanger temperature |
| Nominal pressure water heat exchanger | PN 6 |
| Water connectors | Grommet for plastic tubing di = 9 mm Port position selectable |
| Water flow | Meander or 6-fold parallel (selectable) |
| Cooling water | max. flow temperature 70 °C max. 0,1% salinity pH 4,5 .. 8,5 recommended is a mixture of 25% propyl glycol (or ethylene glycol) and 75% water |

Terminal assignment:

| Terminal | Connection |
|----------|--------------------------------|
| 1 | Peltier-Elements (+) |
| 2 | Peltier-Elements (-) |
| 3 | Peltier-Elements (+) |
| 4 | Peltier-Elements (-) |
| 5 | Alarm transductor (NO contact) |
| 6 | Alarm transductor (NO contact) |
| 7 | Internal fan (+) |
| 8 | Internal fan (-) |

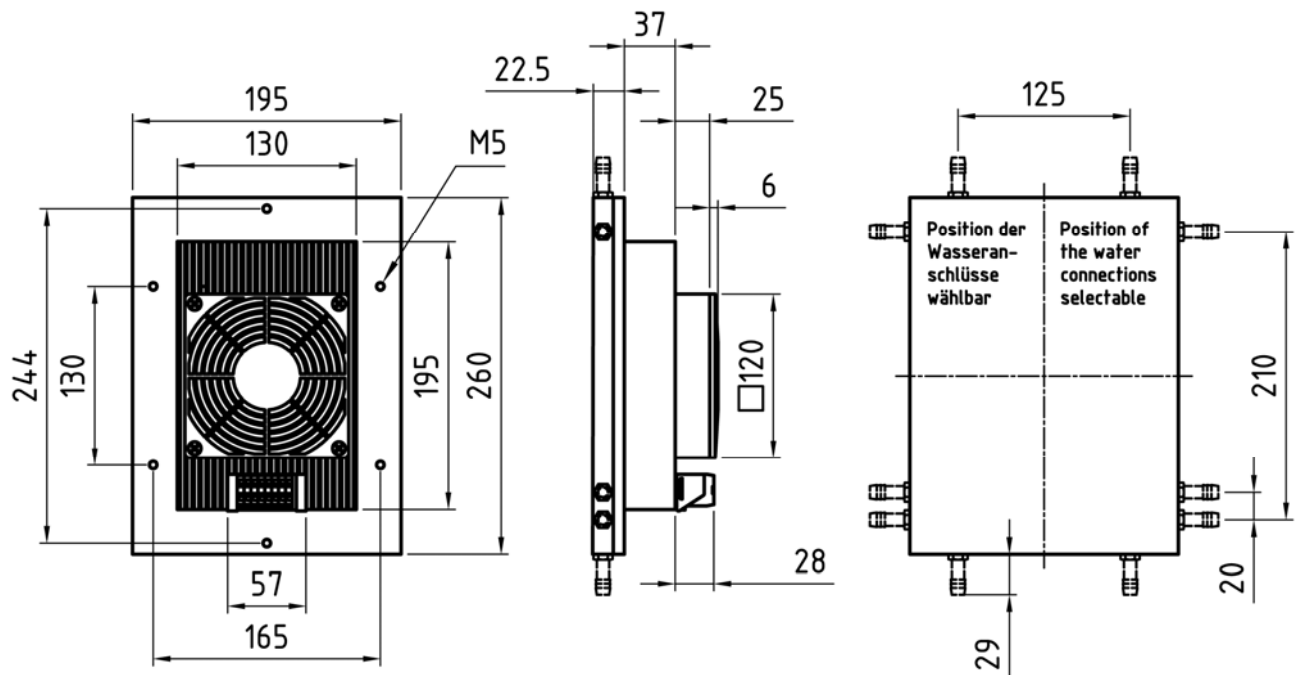


Performance range:

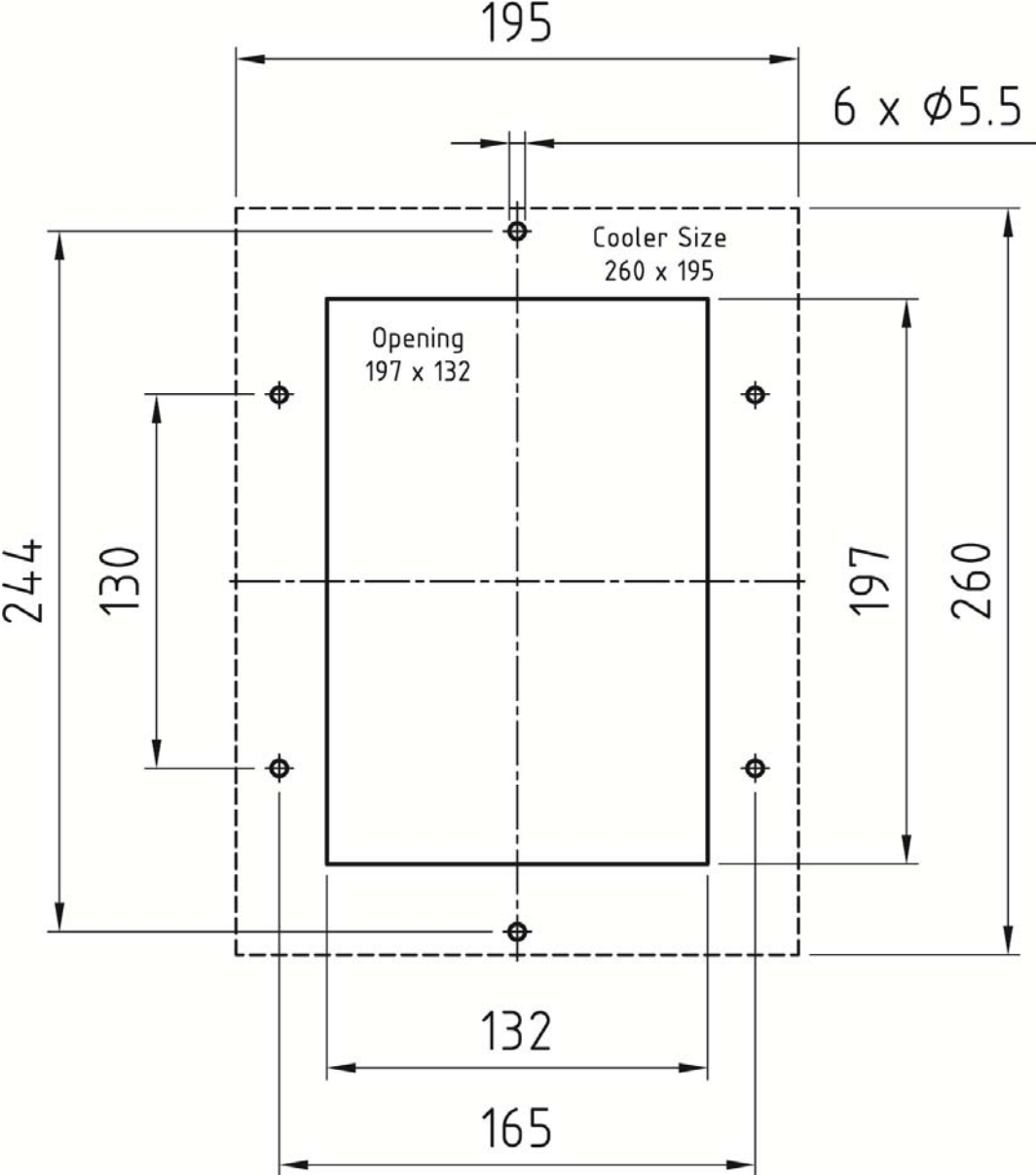


Correction by ambient temperature = + 0,02625 * (T_{amb} - 20)

Main dimensions:



Opening:





The product „DR. NEUMANN Switch Cabinet Cooler – LR 208-C“ has been given the CE mark on the basis of the Directive 89/336/EEC of the Council of the European Community of 29 April 1991 for harmonization of legislation of member-states on communication systems including mutual recognition of their conformity.

This product has been designed for use with power packs bearing the CE mark.

The product „DR. NEUMANN Switch Cabinet Cooler – LR 208-C“ meets the requirements for a CE mark:

Interference immunity to EN 61000-6-2/VDE 0839 Part 6-2

Electromagnetic compatibility; basic standard on interference immunity

Radio interference suppression to EN 55022 Class A

Electromagnetic compatibility of equipment for information processing and telecommunication

Electric safety to EN 60950

Safety of equipment of information engineering including electric office machines.

This product has been designed for use in industrial applications. Interference immunity and the rate of emitted interference are in conformity with the directives on industrial equipment. When the product is used in residential homes and business offices interference with other equipment items (e.g. radio receivers) might occur. The user shall ensure itself that no third party will be exposed to any interference.

This declaration is delivered in the responsibility of the manufacturer

DR. NEUMANN
Peltier-Technik GmbH
Gautinger Str. 45
D-82061 Neuried
Germany