



Data Sheet

Peltier – Control Cabinet Cooler FR-104-C

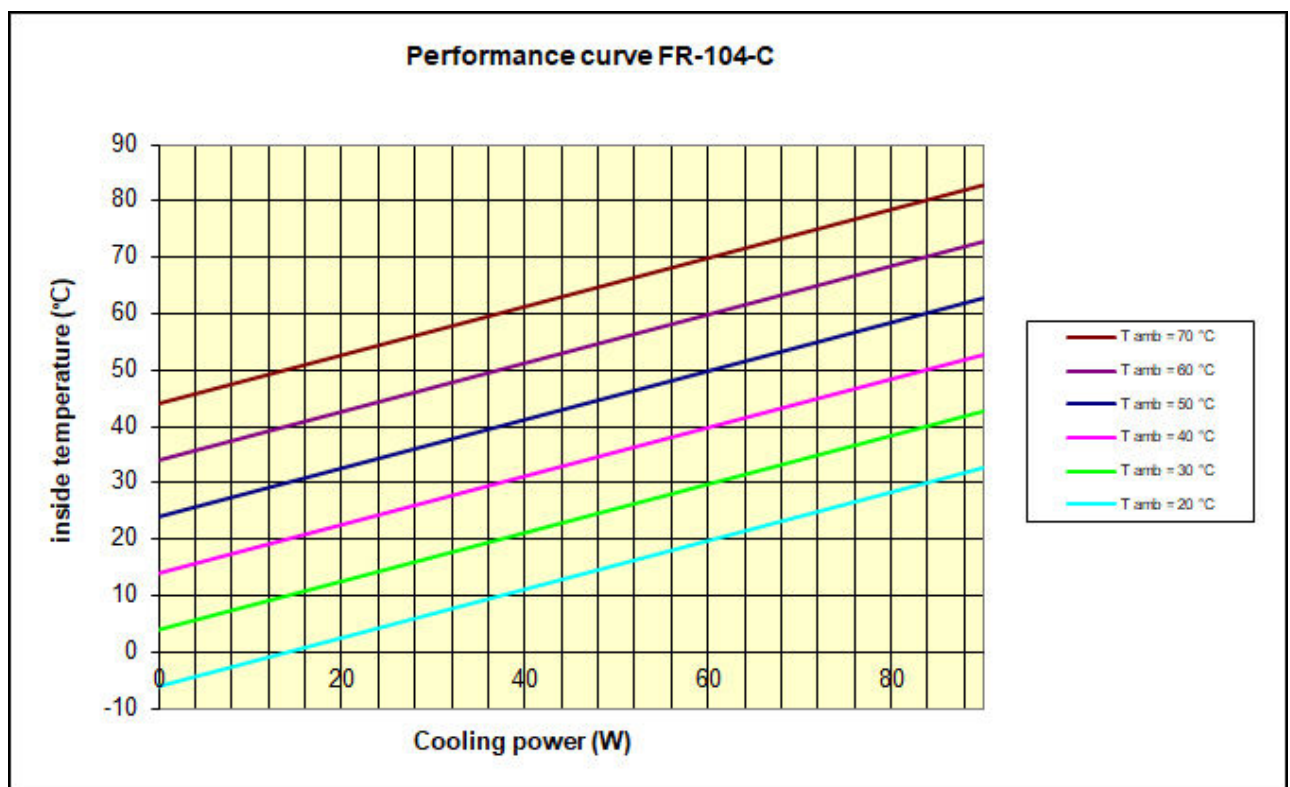


S-0000193-004-a

Technical data:

| | |
|--|---|
| Power supply | 24 V - DC |
| Rated input | 100 W |
| Cooling power (L35 / L35) | 61 W |
| Max. input current | 7,5 A |
| Rated current | 4,2 A |
| Weight | ca. 3 kg |
| Protection Classification outer side (warm) | IP67 |
| Protection Classification internal side (cold) | IP20 |
| Operational temperature range | -40 °C to 70 °C |
| Storage temperature range | -40 °C to 70 °C |
| Alarm transductor | NO-contact, max. 30 V-DC, 5 A |
| Switch point fault message | +80°C (+/- 5°C) heat sink temperature |
| Switch point safety shutdown | +90°C (+/- 5°C) heat sink temperature |
| Certificates / Approvals |   NEMA 1,12,4X File E468447 |

Performance range:

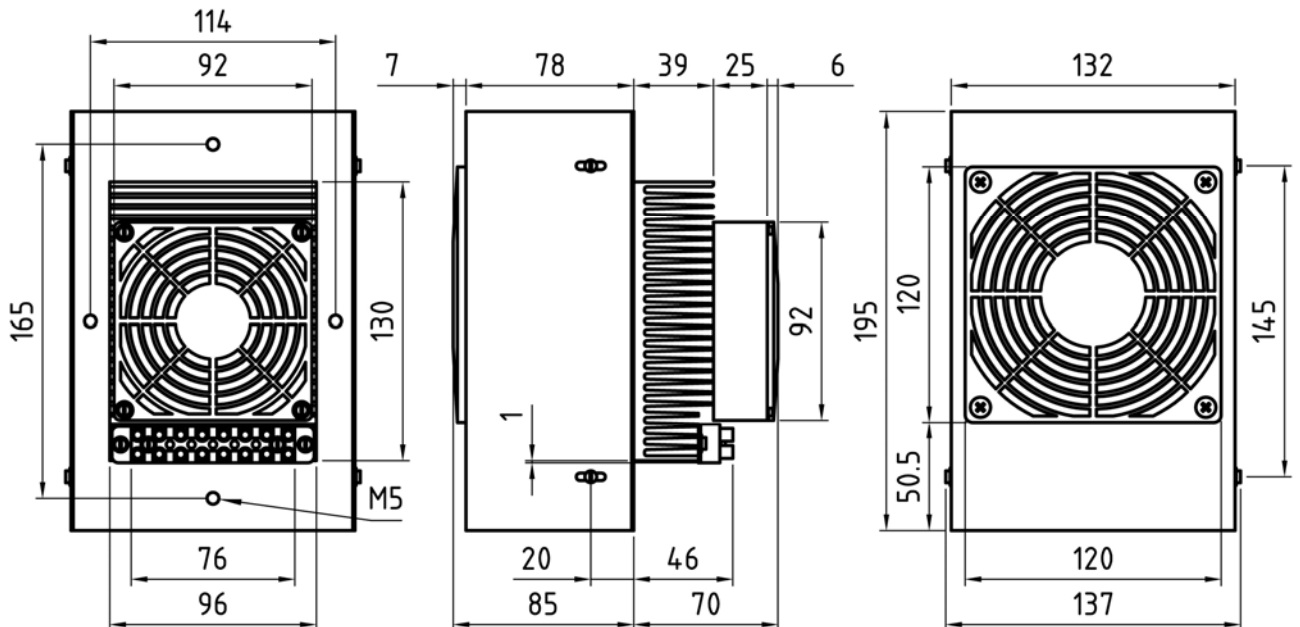


Terminal assignment:

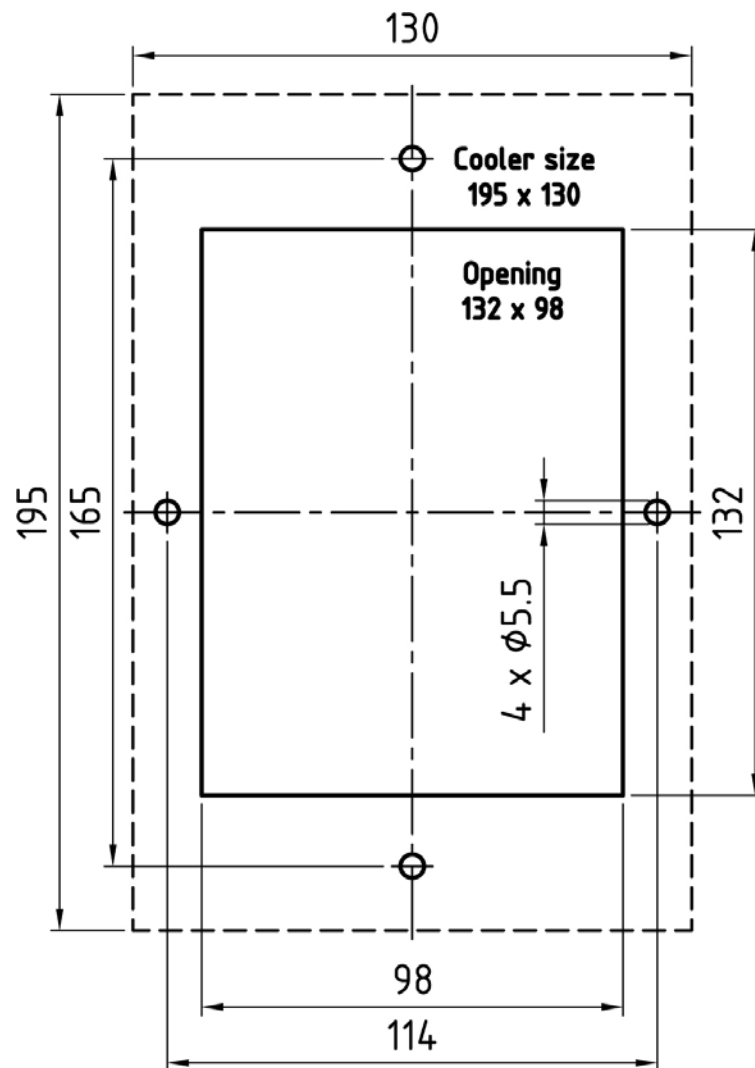
| Terminal | Connection |
|----------|--------------------------------|
| 1 | Peltier-Elements (+) |
| 2 | Peltier-Elements (-) |
| 3 | Alarm transductor (NO contact) |
| 4 | Alarm transductor (NO contact) |
| 5 | External fan (+) |
| 6 | External fan (-) |
| 7 | Internal fan (+) |
| 8 | Internal fan (-) |



Main dimensions:

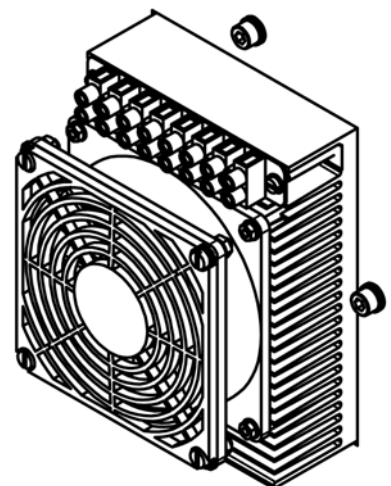


Opening:



Note on installation:

The mounting position of the device is freely selectable. However, when installing into a side wall, rear wall or into the cabinet door, it is recommended that the device be aligned in such a way that the connection terminals are at the top.





The product „DR. NEUMANN Peltier-Switch-Cabinet-Cooler FR-104-C“ has been given the CE mark on the basis of the Directive 3014/30/EU of the Council of the European Community of 26 February 2014 for harmonization of legislation of member-states on communication systems including mutual recognition of their conformity.

This product has been designed for use with power packs bearing the CE mark.

The product „DR. NEUMANN Peltier-Switch-Cabinet-Cooler FR-104-C“ meets the requirements for a CE mark:

Interference immunity to EN 61000-6-2/VDE 0839 Part 6-2

Electromagnetic compatibility; basic standard on interference immunity

Radio interference suppression to EN 55022 Class A

Electromagnetic compatibility of equipment for information processing and telecommunication

Electric safety to EN 60950

Safety of equipment of information engineering including electric office machines.

This product has been designed for use in industrial applications. Interference immunity and the rate of emitted interference are in conformity with the directives on industrial equipment. When the product is used in residential homes and business offices interference with other equipment items (e.g. radio receivers) might occur. The user shall ensure itself that no third party will be exposed to any interference.

This declaration is delivered in the responsibility of the manufacturer

DR. NEUMANN
Peltier-Technik GmbH
Gautinger Str. 45
D-82061 Neuried
Germany